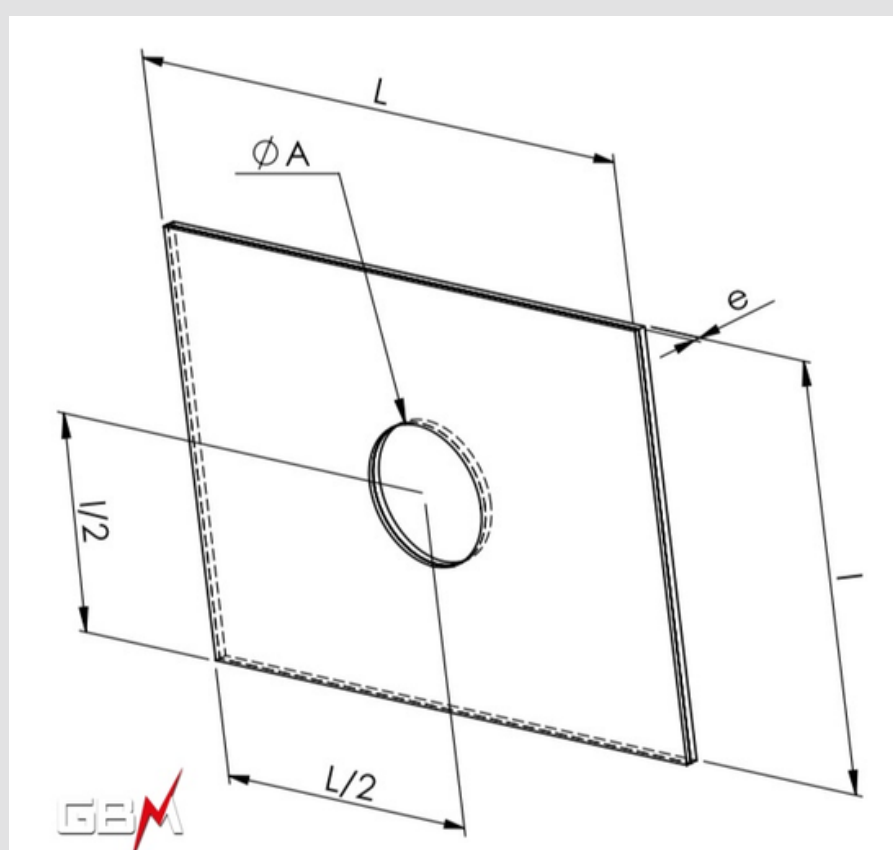


Copper / Aluminium bimetallic plates

- Bimetallic copper/aluminium plate.



Reference	Dimensions L x l x e (mm)	ØA (mm)	Weight/100 pièces (Kgs)	Packaging
PBI8.5	55x40x1	8.5	0.8	50
PBI10.5	55x40x1	10.5	0.8	50
PBI13	55x40x1	13	0.77	50
PBI14.5	55x40x1	14.5	0.75	50
PBI16.5	55x40x1	16.5	0.70	50

* Other dimensions possible on request